

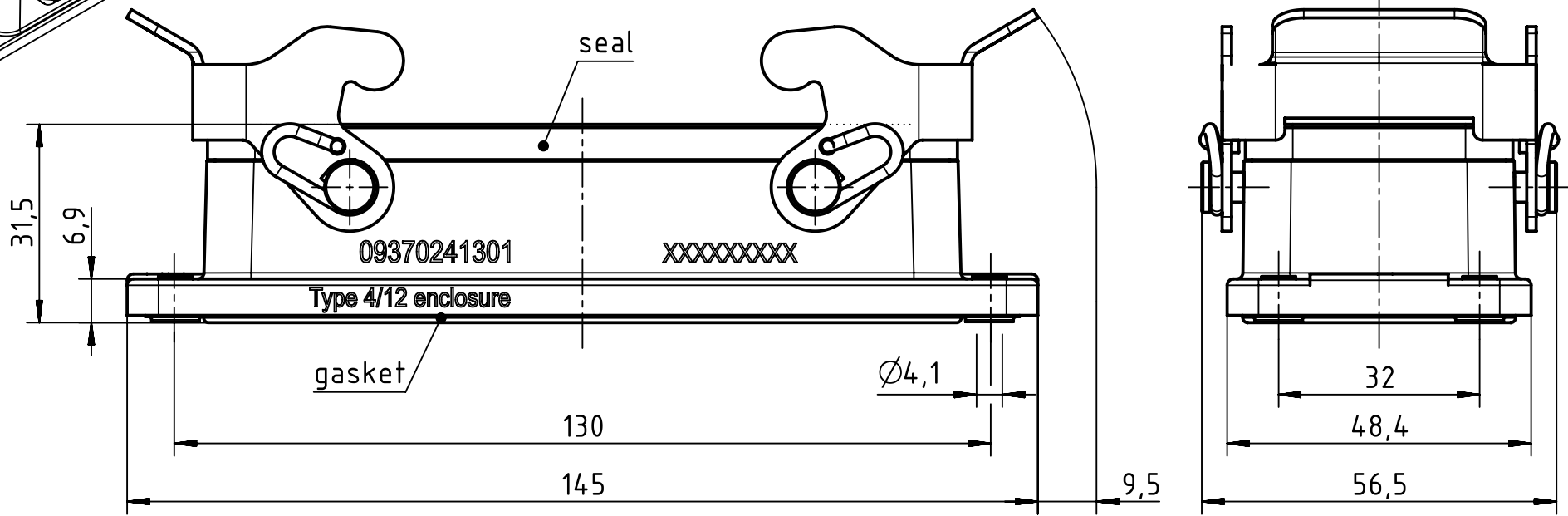
A

B

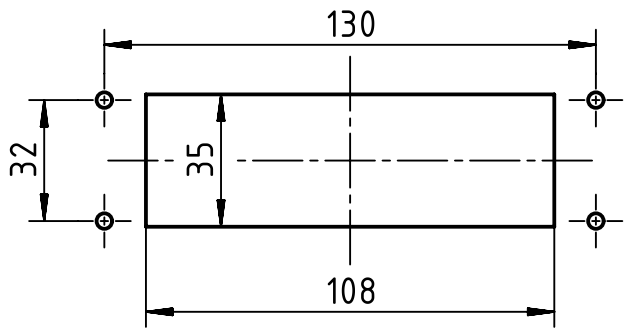
C

D

1 2 3 4 5 6



panel cut out (1:2)



	All rights reserved Department EL PD - CN HARTING (Zhuhai) Manufacturing Co., Ltd. 519085 Zhuhai, China	All Dimensions in mm Original Size DIN A4	Scale 1:1 Free size tol.	Ref. Sub.
		Created by LONGL Inspected by WENE Standardisation RUETERA	Date 2018-03-08 State Final Release	
Title Han 24M-Base Panel 2 Levers IP67			Doc-Key / ECM-Nr. 100722619/UGD/001/C 500000131984	
Type TB		Number 09 37 024 1301		Rev. C Page 1/1