

1 2 3 4 5 6

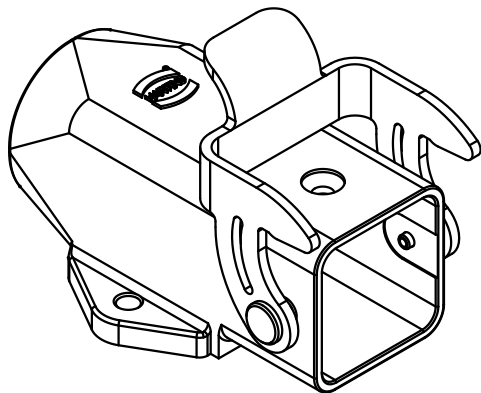
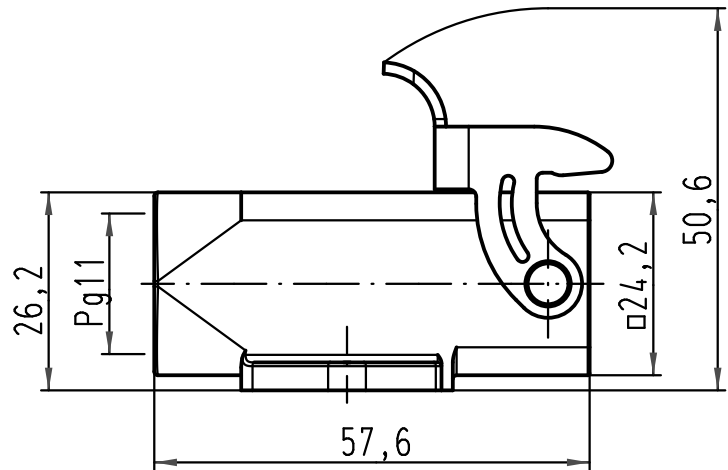
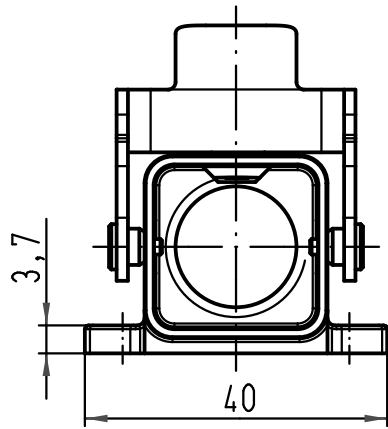
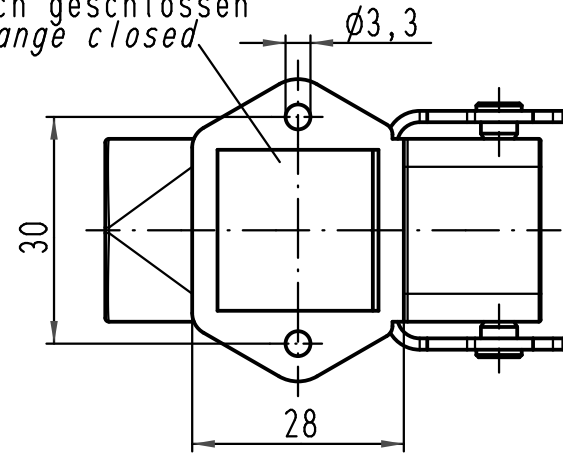
A

B

C

D

Flansch geschlossen
flange closed



| | | | | | | |
|------|------|---|------------------------------------|------|---|--|
| | | Techn. Character. | | | Nicht tolerierte Maß/Free size tolerances | |
| | | | Dat. | Name | Maßstab/Scale 1:1 | Han 3EMV-asgw-QB-11 Sockelgehäuse housing surface mounting |
| | | Detail. | 22.09.09 | Spr | | |
| | | Insp. | | Be | | |
| | | Stand. | | | | |
| A | | HARTING Electric GmbH & Co. KG D-32339 Espelkamp | | | | TB 09 62 003 1252 |
| Mod. | Dat. | Name | Sub. TB 09 62 003 1252 v. 01.08.03 | | | |
| | | | | | | Blatt/ page |