

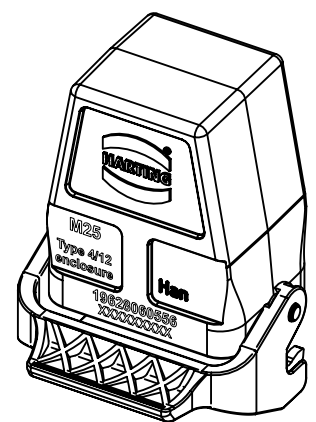
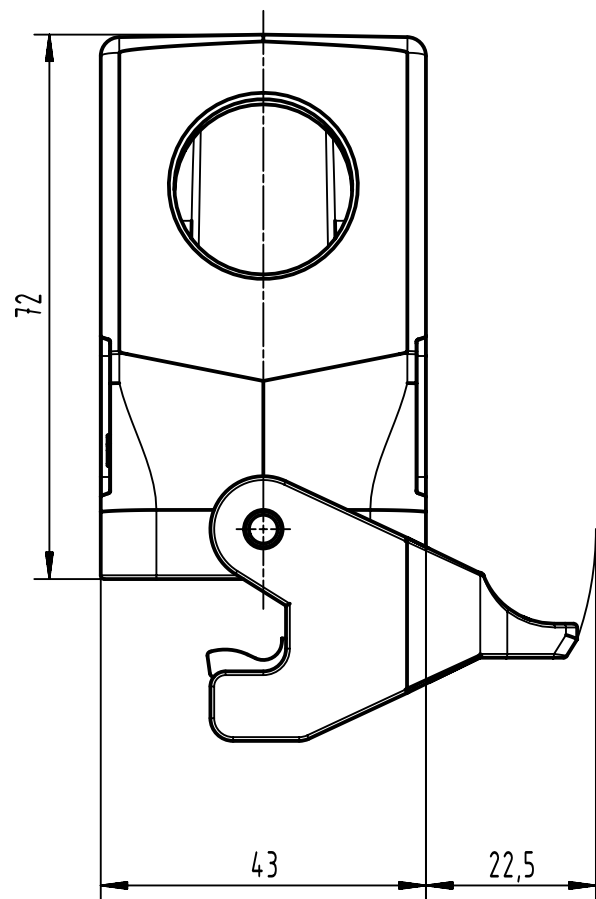
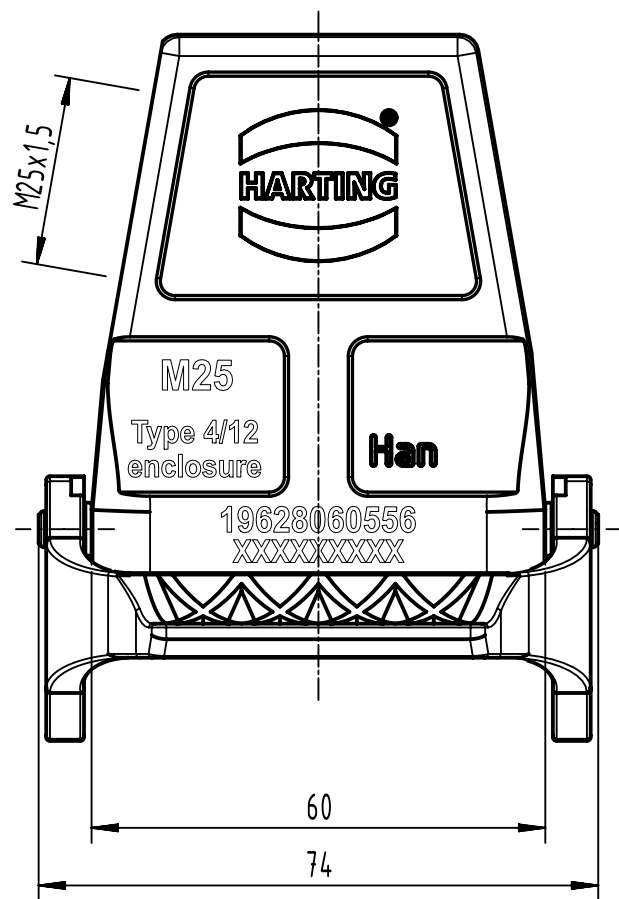
1 2 3 4 5 6

A

B

C

D



	All Dimensions in mm Original Size DIN A4		Scale 1:1	Free size tol.		Ref.
						Sub.
	All rights reserved		Created by HELLMANN	Inspected by RIEPE	Standardisation 302077	Date 2021-05-19
	Department EL PD		Title Han 6EMC/B-HSE-HC-SL-M25			State Final Release
HARTING D-32339 Espelkamp			Type TB	Number 19 62 806 0556		Doc-Key / ECM-Nr. 100954544/UGD/005/A 500000195292
					Rev. A	Page 1/1