

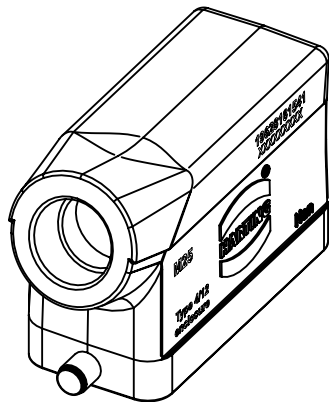
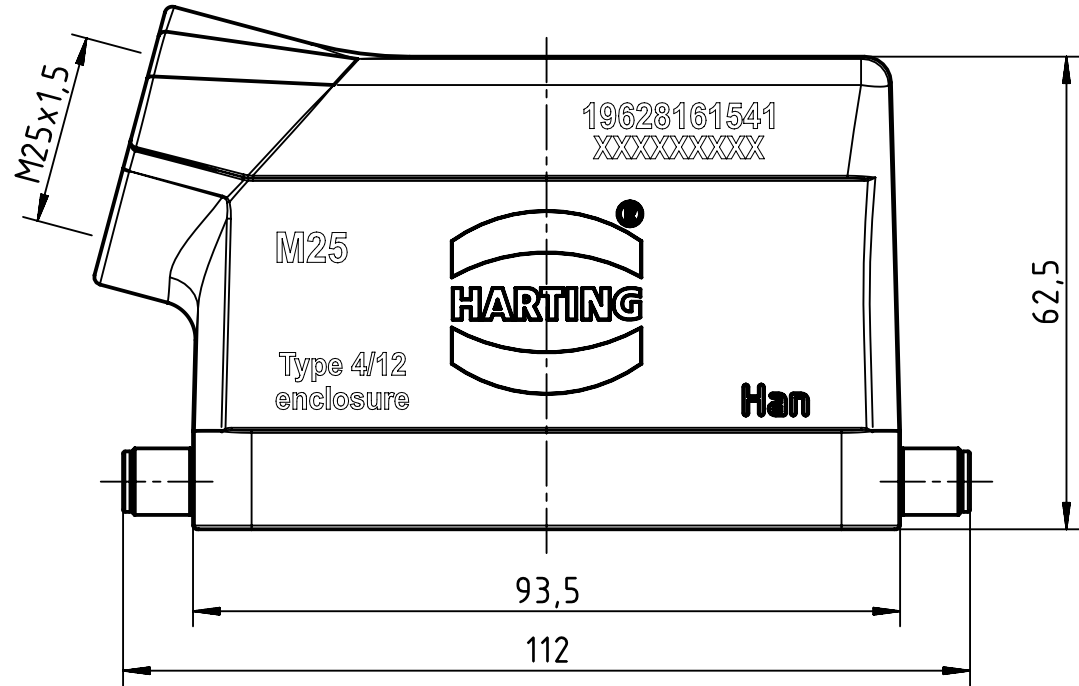
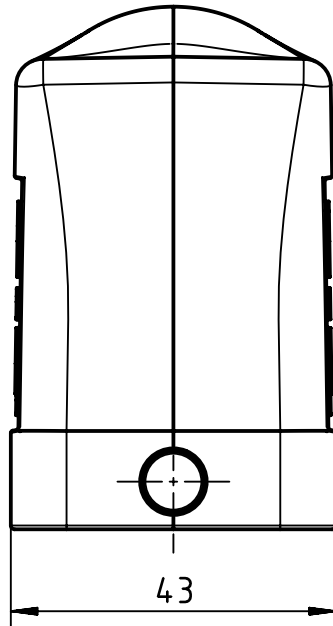
1 2 3 4 5 6

A

B

C

D



	All Dimensions in mm Original Size DIN A4		Scale 1:1	Free size tol.		Ref. Sub.	
		All rights reserved	Created by SPRENB	Inspected by GERB	Standardisation RUETERA	Date 2020-01-06	State Final Release
Department EL PD		Title Han 16EMC/B-HSE-LC-for SL-M25				Doc-Key / ECM-Nr. 100859772/UGD/004/B 500000163000	
HARTING Electric GmbH & Co. KG D-32339 Espelkamp		Type TB	Number 19 62 816 1541			Rev. B	Page 1/1