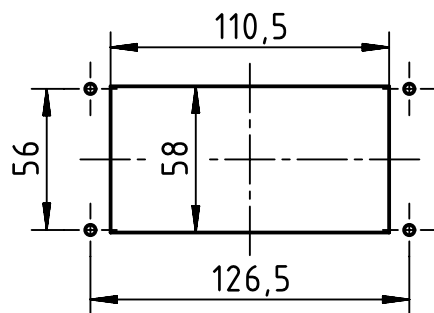



panel cut out (1:3)



	All rights reserved Department EL PD	All Dimensions in mm Original Size DIN A4		Scale 1:2	Free size tol.	Ref.
		Created by ZENG D	Inspected by LUOK	Standardisation 302077	Date 2020-10-19	State Final Release
HARTING (Zhuhai) Manufacturing Co., Ltd. 519085 Zhuhai, China		Title Han 16EMC/B HSE M32 PFT DL			Doc-Key / ECM-Nr. 100916075/UGD/001/A 500000181239	
		Type TB	Number 19 62 816 1141		Rev. A	Page 1/1