

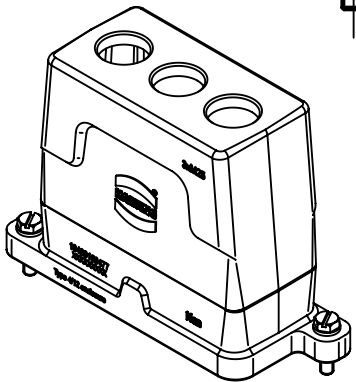
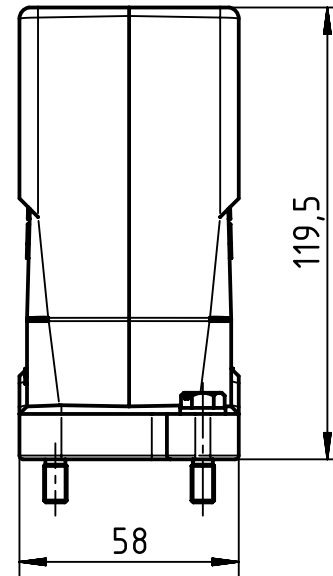
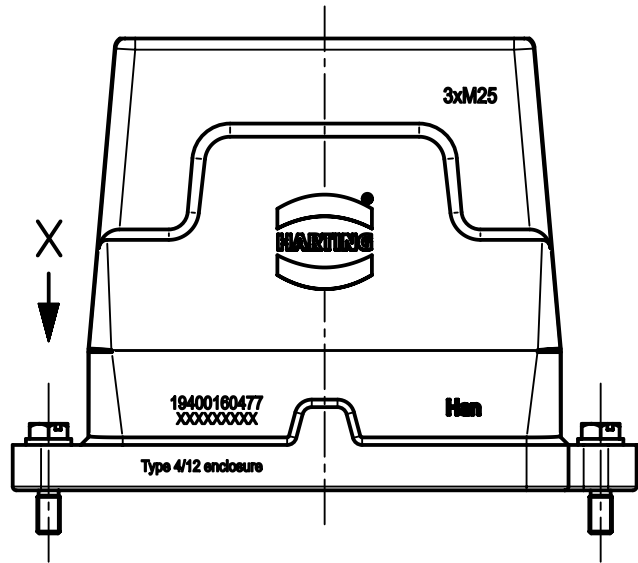
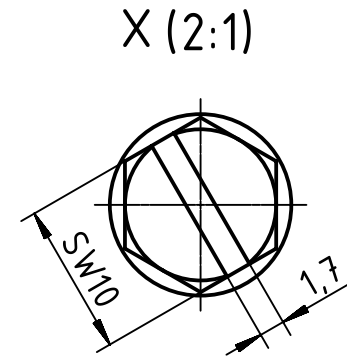
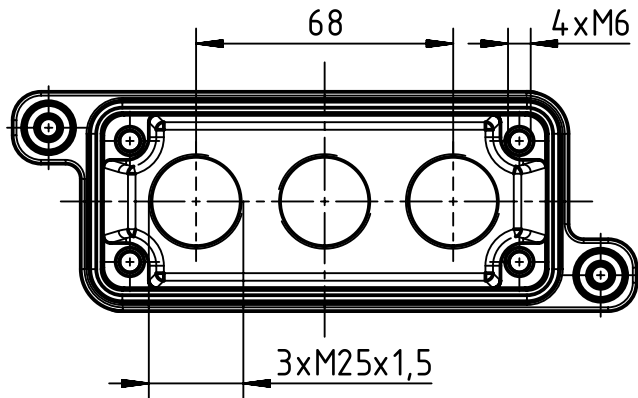
1 2 3 4 5 6

A

B

C

D



All Dimensions in mm Original Size DIN A4	Scale	Free size tol.			Ref.
	1:2				Sub.
All rights reserved Department EL PD - DE	Created by	Inspected by	Standardisation	Date	State
	LONGL	DINGB	SCHMIDTM	2016-06-29	Final Release
HARTING Electric GmbH & Co. KG D-32339 Espelkamp	Title				Doc-Key / ECM-Nr.
	Han 16HPR-HTE3-S-M25-enlarged				100677075/UGD/002/B 500000105992
Type	Number	Rev.	Page		
TB	19 40 016 0477	B	1/1		