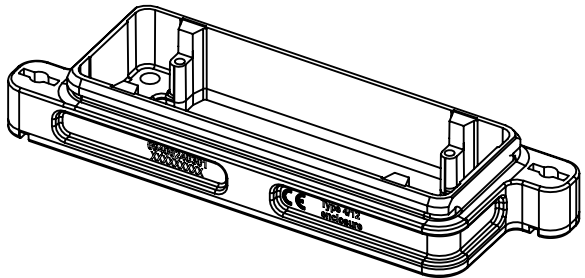
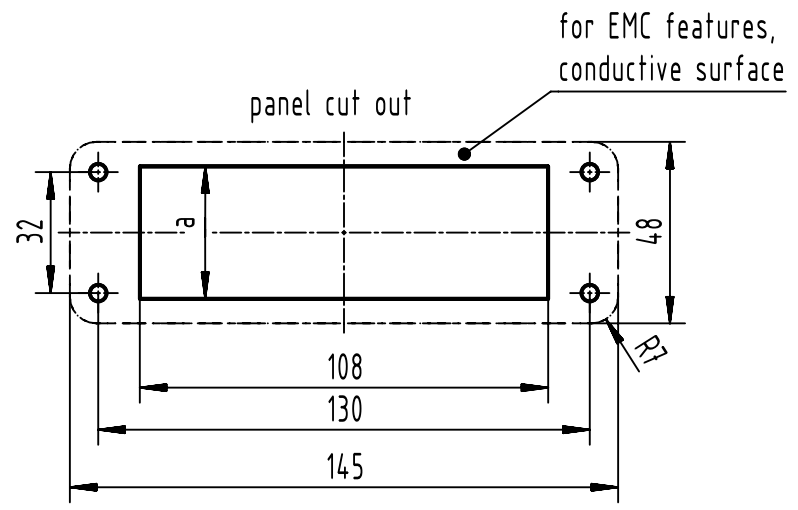
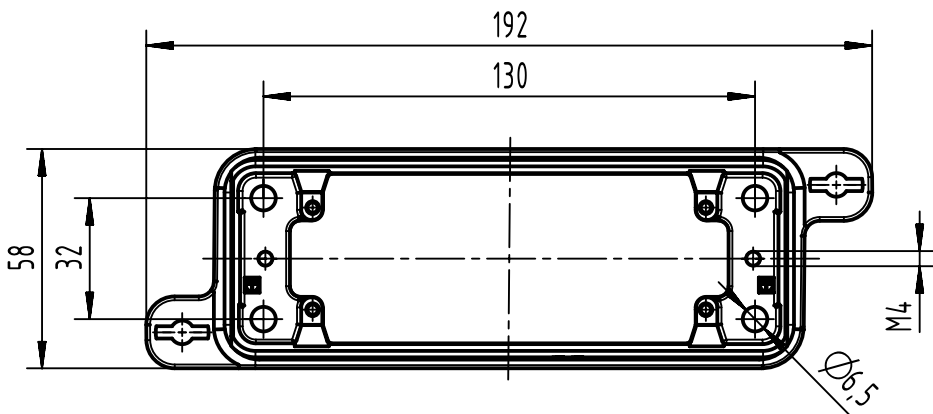
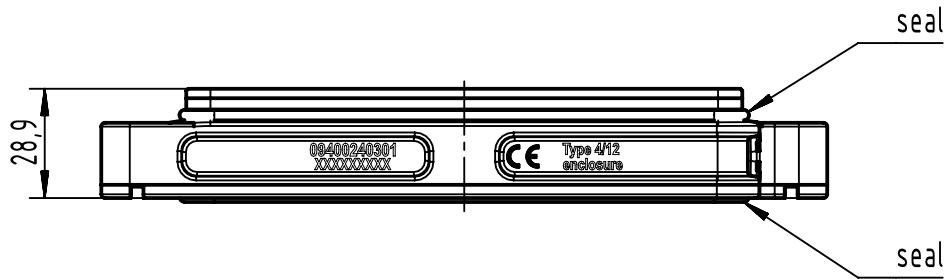


1 2 3 4 5 6

A
B
C
D



application	a
standard insert	35
HC-Modular 650	44,5

	All rights reserved Department EL PD	All Dimensions in mm Original Size DIN A4		Scale 1:2	Free size tol.	Ref. Sub.	
		HARTING Electric GmbH & Co. KG D-32339 Espelkamp	Created by SPRENB	Inspected by SUNDERMEIER	Standardisation 302077	Date 2020-11-27	State Final Release
Title Han 24HPR-agg-KV						Doc-Key / ECM-Nr. 100217695/UGD/004/D 500000182491	
Type TB				Number 09 40 024 0301		Rev. D	Page 1/1