

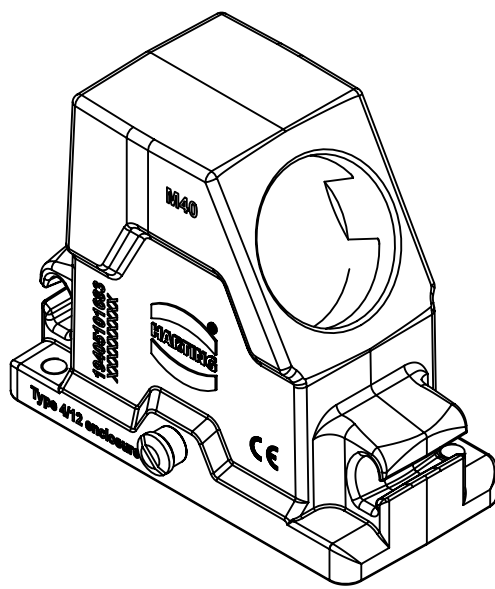
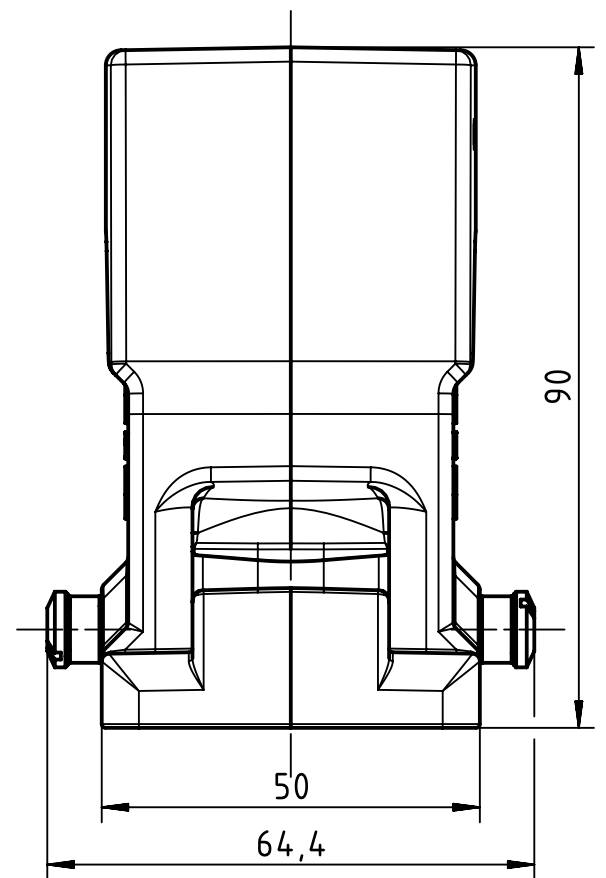
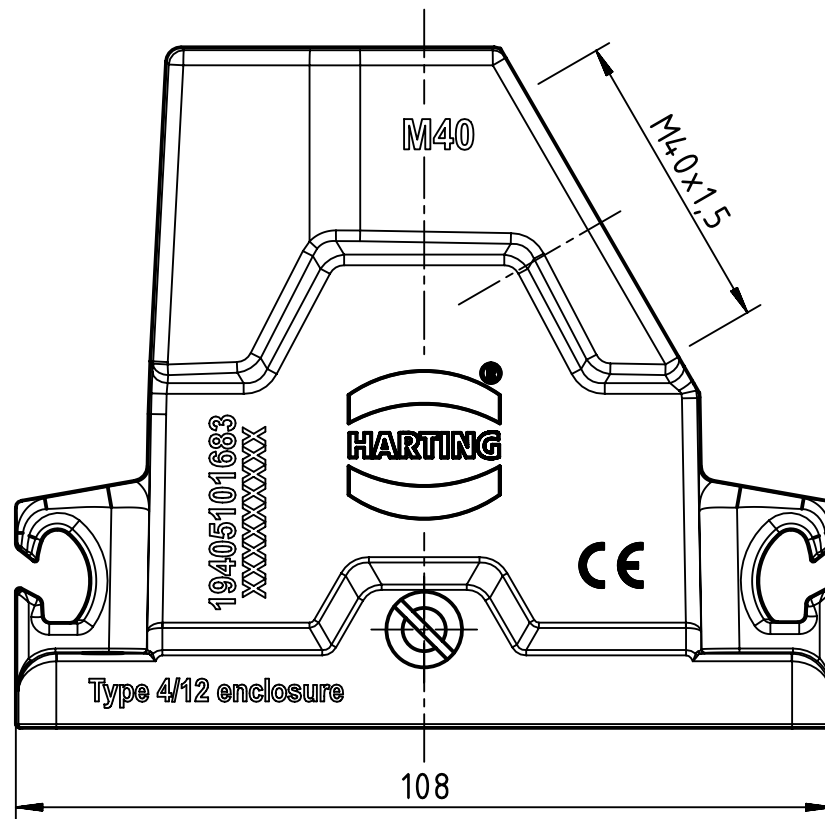
1 2 3 4 5 6

A

B

C

D



	All Dimensions in mm Original Size DIN A4		Scale 1:1	Free size tol.		Ref.	
						Sub.	
	All rights reserved		Created by LONGL	Inspected by LUOK	Standardisation GARSKE	Date 2020-08-28	State Final Release
	Department EL PD		Title Han 10HPR-Compact-HA-LC-for CL-M40			Doc-Key / ECM-Nr. 100892113/UGD/001/B 500000178764	
HARTING Electric GmbH & Co. KG D-32339 Espelkamp			Type TB	Number 19 40 510 1683		Rev. B	Page 1/1