

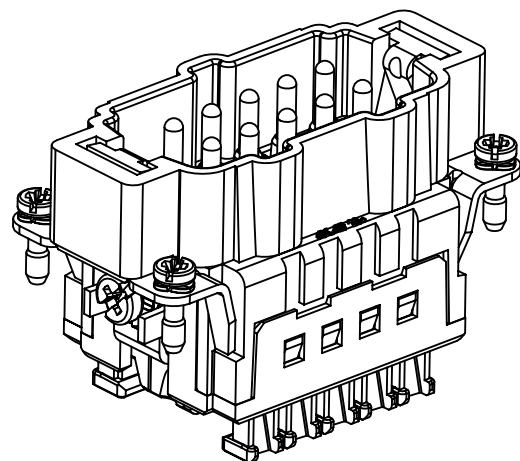
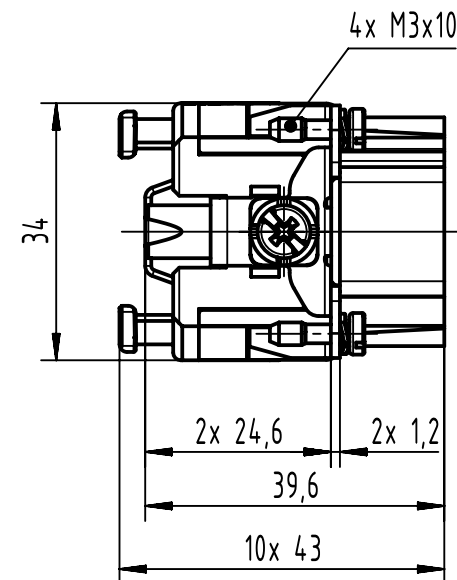
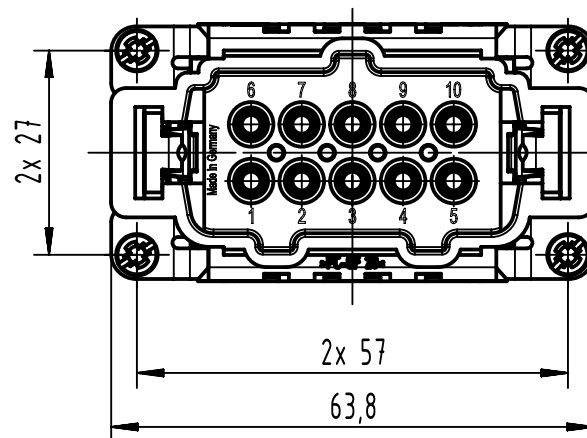
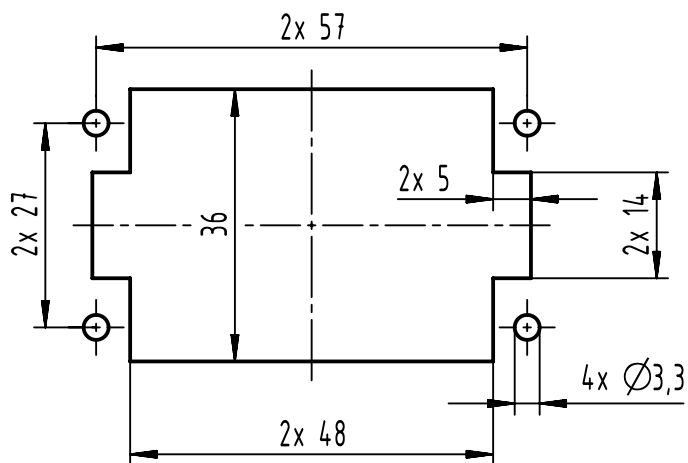
1 2 3 4 5 6


A

B

C

D



| | | | | | | |
|---|---|--|-----------------------|--------------------------|---|--------------------|
|  | All rights reserved Department EL PD | All Dimensions in mm Original Size DIN A4 | Scale 1:1 | Free size tol. | Ref. Sub. | |
| | | HARTING D-32339 Espelkamp | Created by HOLLERT | Inspected by BERGHORN | Standardisation | Date 2023-06-19 |
| Title Han 10ES Press-M | | | | | Doc-Key / ECM-Nr. 100622481/UGD/001/G 50000024.7772 | |
| | | | Type TB | Number 09 33 010 2648 | Rev. G | Page 1/1 |