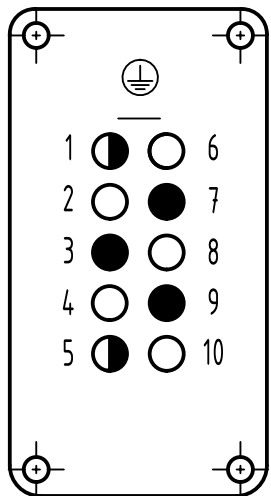
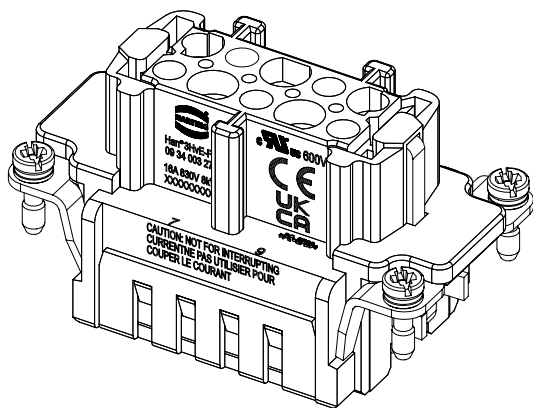
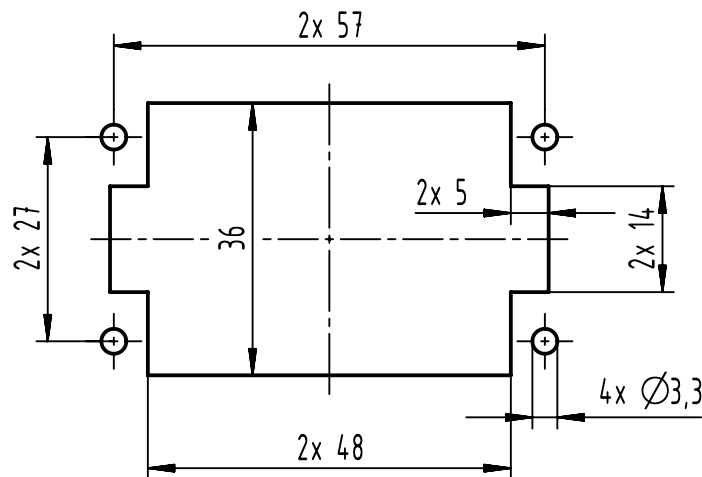
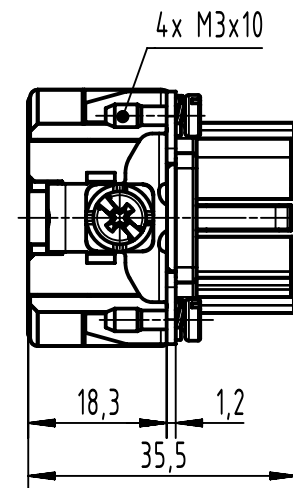
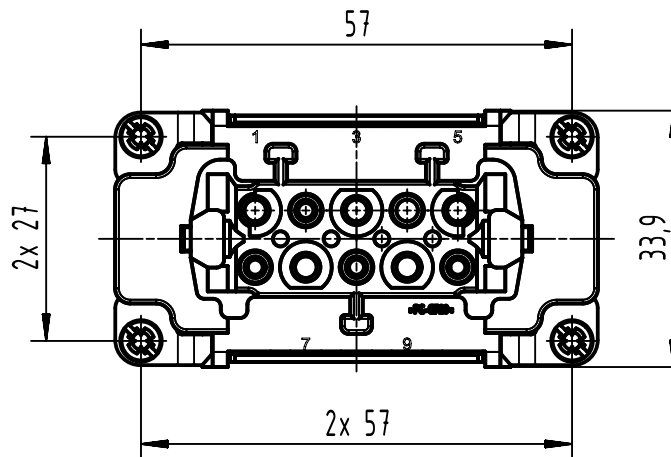


contact arrangement
(view from termination side)



- working contacts
- ◐ relay contacts
- without contacts



	All rights reserved Department EL PD	All Dimensions in mm Original Size DIN A4		Scale 1:1	Free size tol.	Ref.
		HARTING D-32339 Espelkamp	Created by HOLLERT	Inspected by SCHNIEDER	Standardisation	Date 2023-11-22
Title Han 3HvE-F-c				Doc-Key / ECM-Nr. 100117903/UGD/005/C 500000258080		Rev. C
Type TB				Number 09 34 003 2702		Page 1/1