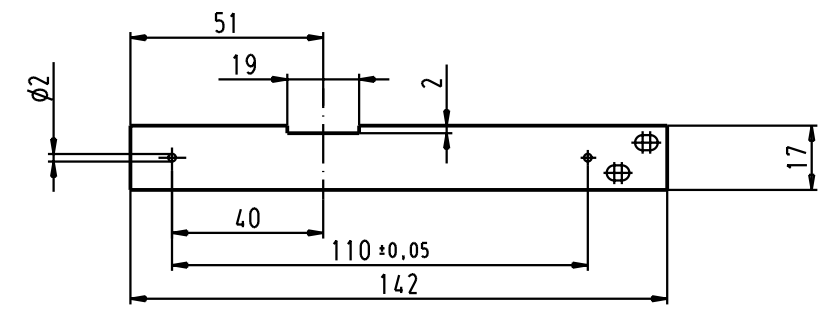
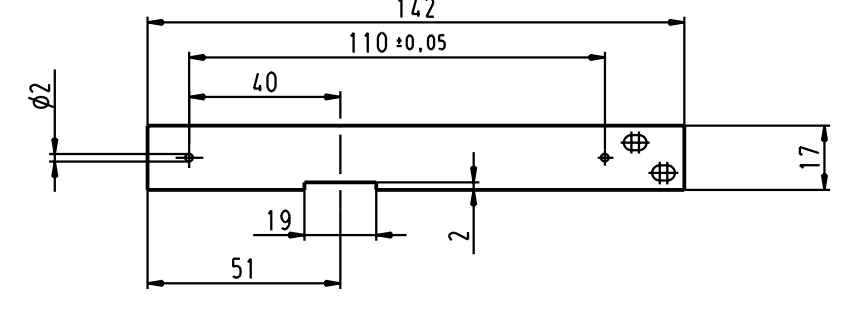




Part 2 : cable guide (left) for SEK 17



Part 3 : cable guide (right) for SEK 17



A				Det.	Name	 All Dim. in mm Orig. Size DIN A 4	Base plate for SEK 17  Maßstab/ Scale  0.5 : 1
				Detail.	CV		
				Insp.			
				Stand.			
			29778	25-APR-02	CV	 TB 09990000134	Blatt/ Page 1 / 1
Mod.	Dat.	Name	HARTING EURL F-95972 Paris				