

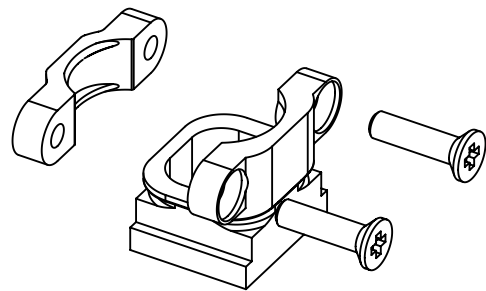
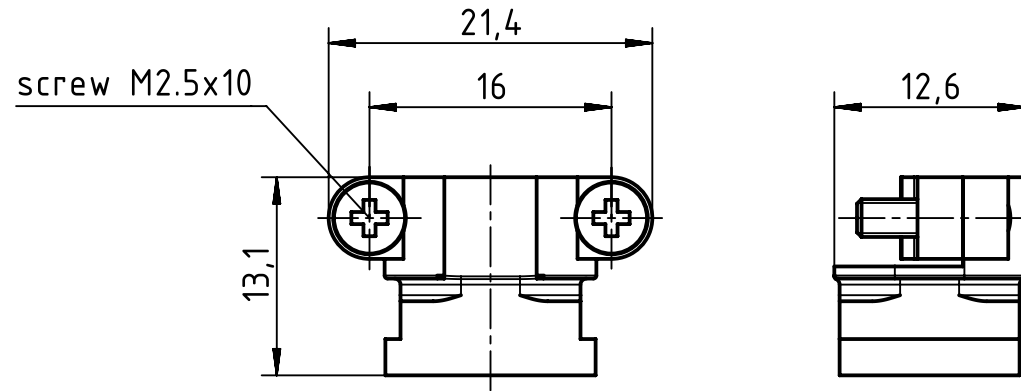
1 2 3 4 5 6

A


B

C

D



clamping range 6-10 mm

	All Dimensions in mm Original Size DIN A4		Scale 2:1	Free size tol.		Ref.
	All rights reserved Department EL PD - DE		Created by ILJIN	Inspected by GRIEPENSTROH	Standardisation TIEMANNA	Date 2014-07-24
HARTING Electric GmbH & Co. KG D-32339 Espelkamp			Title clamp short f.Gigabit and Shielded modul			Doc-Key / ECM-Nr. 100584675/UGD/004/B 500000078036
			Type TB	Number 09 14 000 9983		Rev. B Page 1/1