

1 2 3 4 5 6

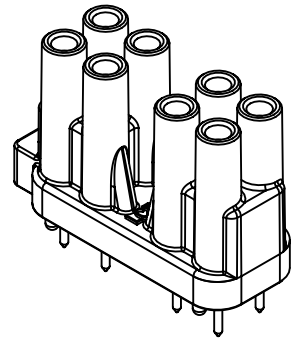
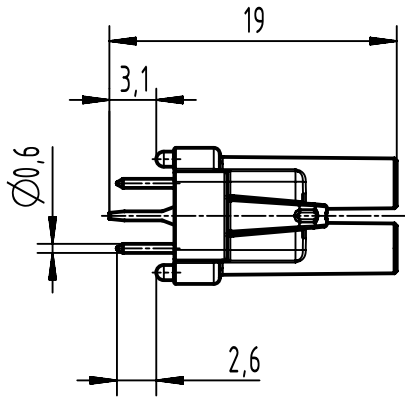
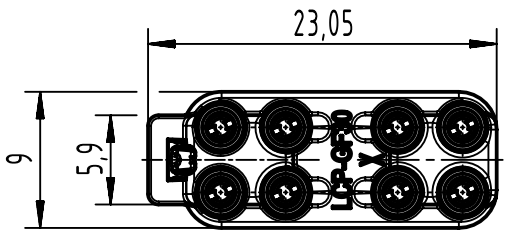
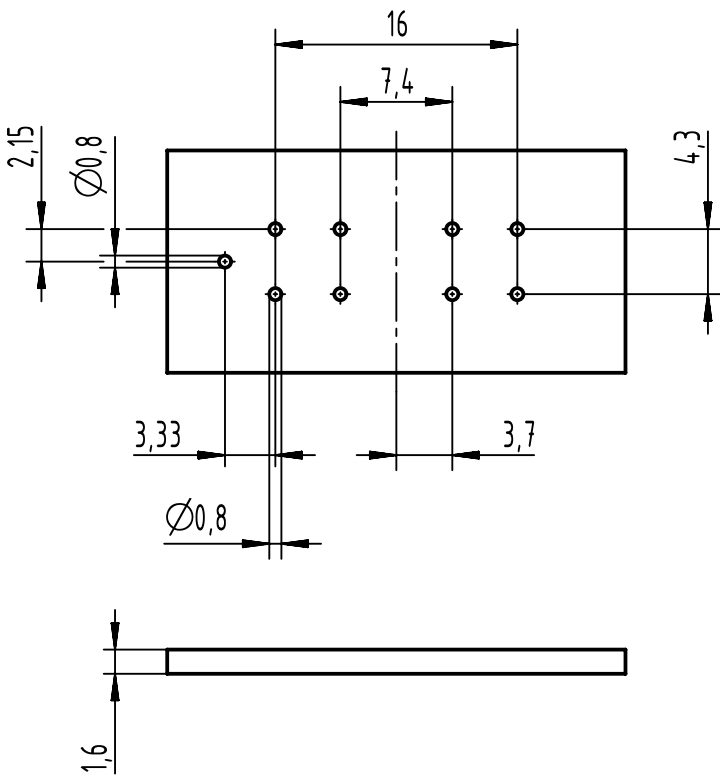
A


B

C

D

Layout PCB



	All rights reserved Department EL PD	All Dimensions in mm Original Size DIN A4	Scale 2:1	Free size tol.	Ref.
		Created by SERBANA	Inspected by 405719	Standardisation	Date 2022-11-11
HARTING D-32339 Espelkamp		Title PCB Adapter w/o Pin 1.6mm for MegaBit			Doc-Key / ECM-Nr. 100928364/UGD/001/E 500000229707
		Type TB	Number 09 16 000 9922		Rev. E
					Page 1/1