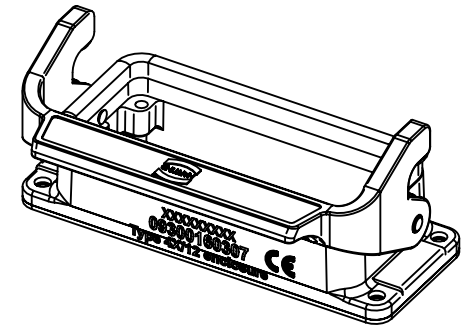
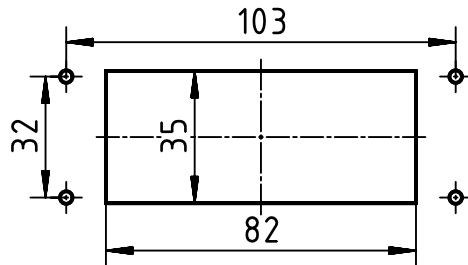

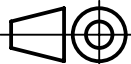




(1:2)  
panel cut out



	 All Dimensions in mm Original Size DIN A4	Scale 1:1	Free size tol.		Ref.	
	 All rights reserved Department EL PD	Created by HELLMANN	Inspected by GERB	Standardisation 302077	Date 2020-12-07	State Final Release
 HARTING D-32339 Espelkamp		Title Han 16B-HBM single lever			Doc-Key / ECM-Nr. 100195690/UGD/004/C 500000180025	
		Type TB	Number 09 30 016 0307		Rev. C	Page 1/1