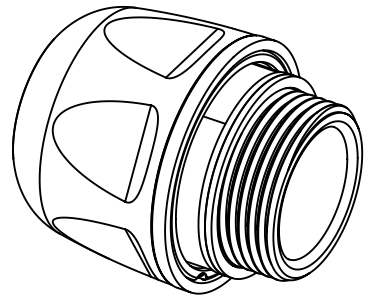
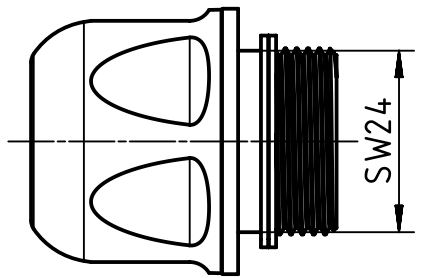
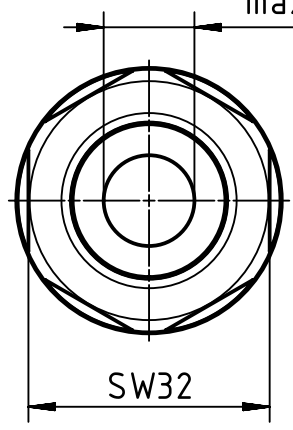
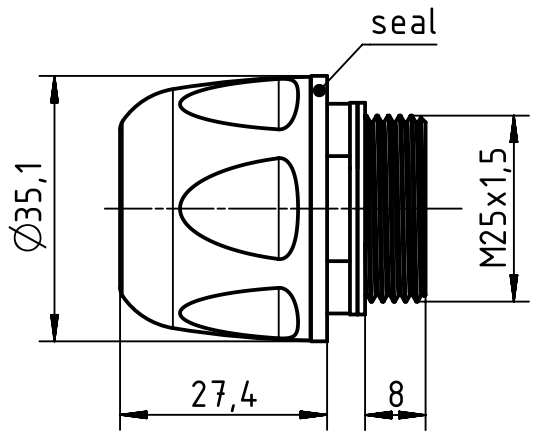
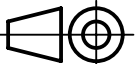



cable
min. $\varnothing 11$
max. $\varnothing 13$



 All Dimensions in mm Original Size DIN A4	Scale	Free size tol.		Ref.	
	1:1			Sub.	
 All rights reserved Department EL PD	Created by	Inspected by	Standardisation	Date	State
	HELLMANN	RIEPE	RUETERA	2020-01-21	Final Release
HARTING Electric GmbH & Co. KG D-32339 Espelkamp	Title			Doc-Key / ECM-Nr.	
	Han CGM-P F+B M25X1,5 D. 11-13 nature			100875788/UGD/001/A 500000164469	
Type		Number		Rev.	Page
TB		19 15 523 5196		A	1/1