

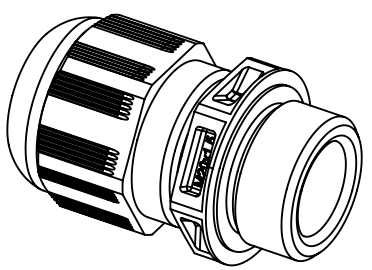
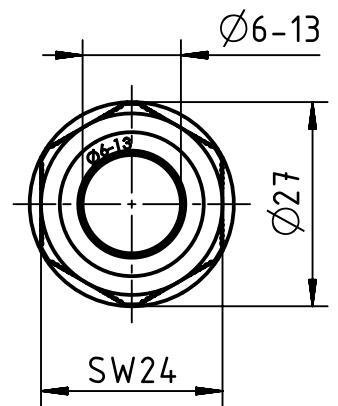
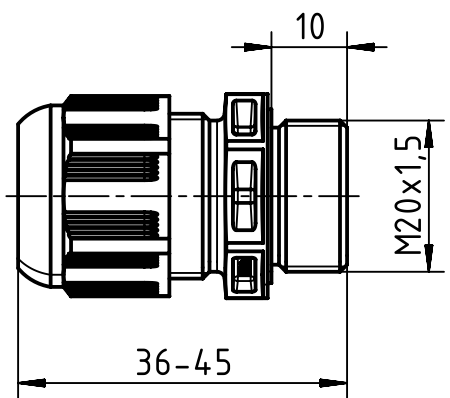
1 2 3 4 5 6


A

B

C

D



	All rights reserved Department EL PD - DE		Created by HOLLERT	Inspected by GRIEPENSTROH	Standardisation RUETERA	Date 2017-03-29	State Final Release	
	HARTING Electric GmbH & Co. KG D-32339 Espelkamp		Title Han-Eco Cable gland M20				Doc-Key / ECM-Nr. 100601730/UGD/003/A 500000116853	
			Type TB	Number 19 41 000 5111			Rev. A	Page 1/1