

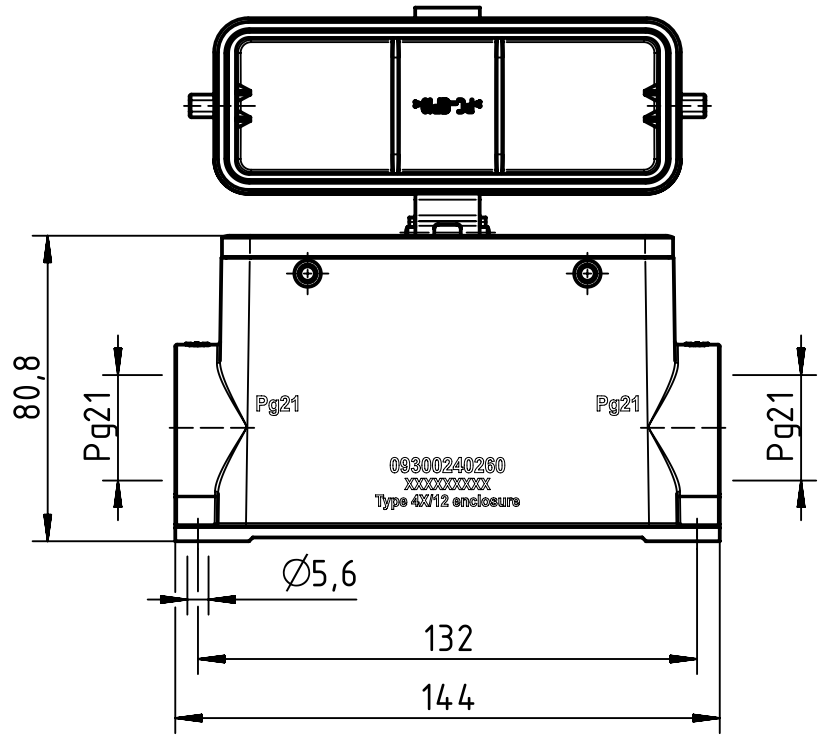
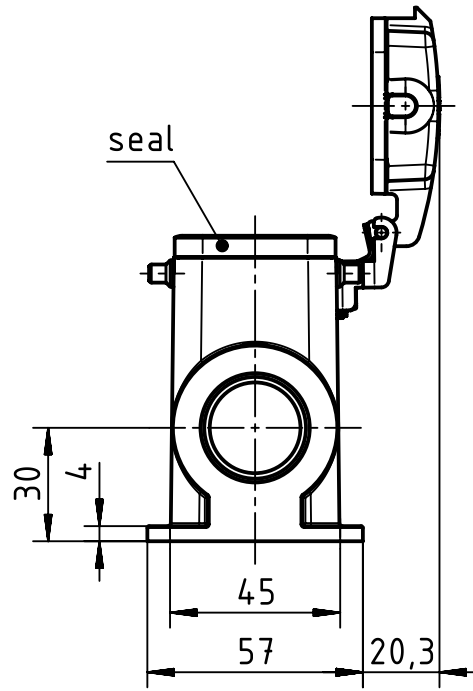
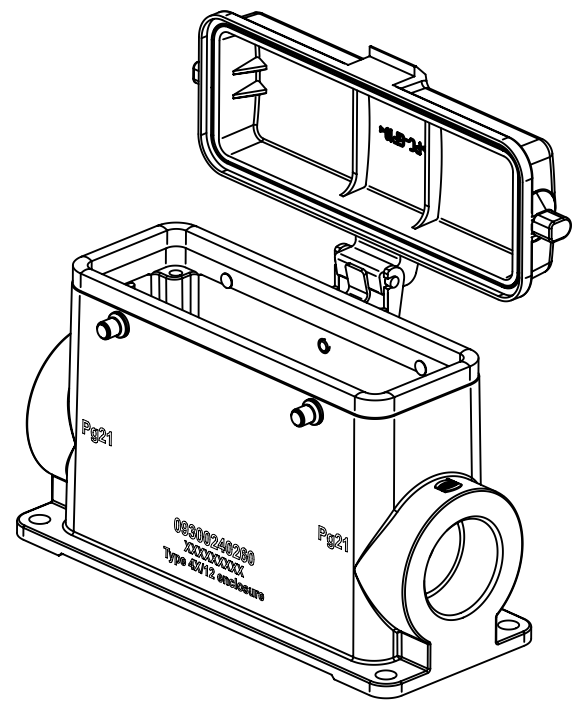
1 2 3 4 5 6

A

B

C

D



| | | | | | | |
|---|--|-----------------------------------|----------------------|---------------------------------|---------------------------|--|
| | All Dimensions in mm Original Size DIN A4 | | Scale 1:2 | Free size tol. | | Ref. |
| | | | Created by FINKEV | Inspected by GERB | Standardisation GARSKE | Sub. |
| All rights reserved Department EL PD | | Title Han 24B-asg2-K-21 | | Date 2020-03-16 | | State Final Release |
| HARTING Electric GmbH & Co. KG D-32339 Espelkamp | | Type TB | | Number 09 30 024 0260 | | Doc-Key / ECM-Nr. 100205773/UGD/004/B 500000166176 |
| | | | | | Rev. B | Page 1/1 |